

**60**mm sq.

# San Ace 60



## General Specifications

- Material ..... Frame: Plastics (Flammability: UL94V-0),  
Impeller: Plastics (Flammability: UL94V-0)
- Expected Life ..... Refer to specifications (L10:Survival rate:90% at 60°C ,  
rated voltage, and continuously run in a free air state)
- Lead Wire ..... ⊕red ⊖black (Sensor) yellow
- Storage Temperature ..... -30°C to +70°C (Non-condensing)

**60×60×10mm** (Mass : 35g) **9GA**type **Low Power Consumption Fan**



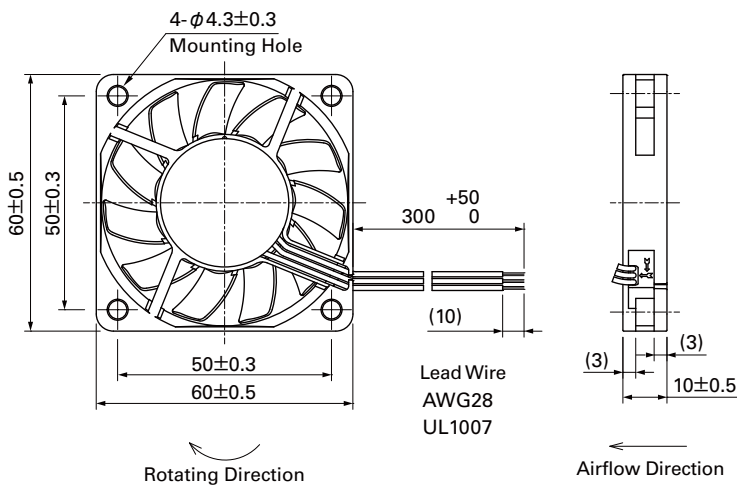
## Specifications

The following nos. **have pulse sensors.**

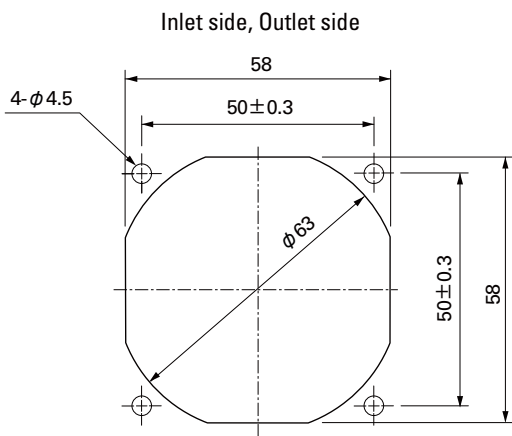
Model No.	Rated Voltage [V]	Operating Voltage Range [V]	Rated Current [A]	Rated Input [W]	Rated Speed [min <sup>-1</sup> ]	Max. Airflow [m <sup>3</sup> /min] [CFM]	Max. Static Pressure [Pa] [inchH <sub>2</sub> O]	SPL [dB(A)]	Operating Temperature [°C]	Expected Life [h]
9GA0612G9001	12	7.0 to 13.2	0.27	3.24	6,200	0.62 21.9	66 0.26	43	-20 to +60	40,000/60°C (70,000/40°C)
9GA0612H9001		7.0 to 13.8	0.14	1.68	5,000	0.50 17.6	42.9 0.17	37	-20 to +70	
9GA0612L9001			0.03	0.36	2,300	0.23 8.1	9.1 0.037	17	-10 to +70	

Other sensor specifications are available as options. Please refer to the index (pp. 504 to 505).

## Dimensions (unit: mm) (With ribs)



## Reference Dimensions of Mounting Holes and Vent Opening (unit: mm)

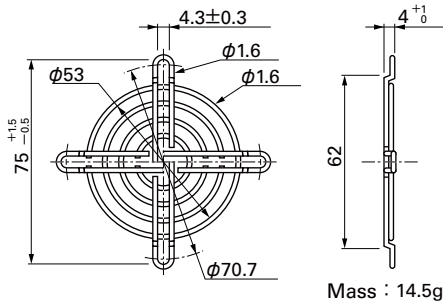


Options (unit: mm)

**Finger Guards**

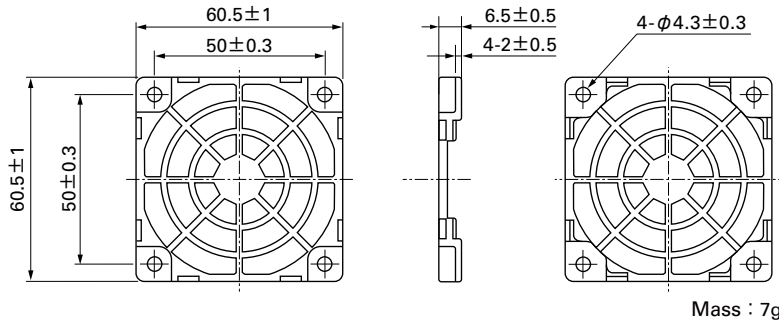
Model : 109-139E Surface treatment : Nickel-chrome plating (silver) Color  
 : 109-139H : Cation electropainting (black)

Inlet side, Outlet side



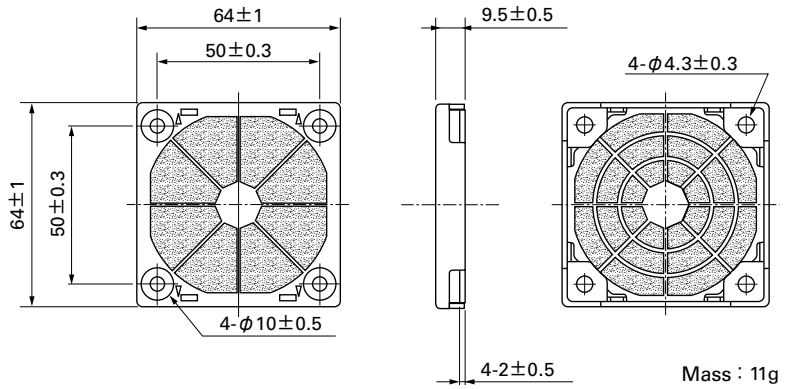
**Resin Finger Guards**

Model : 109-1003G

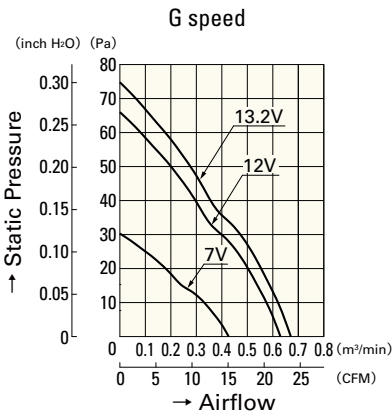


**Resin Filter Kits**

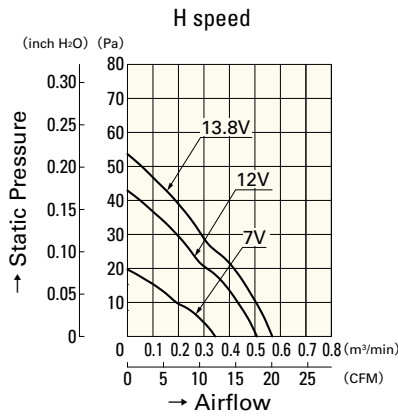
Model : 109-1003F13 (13PPI), 109-1003F20 (20PPI)  
 : 109-1003F30 (30PPI), 109-1003F40 (40PPI)



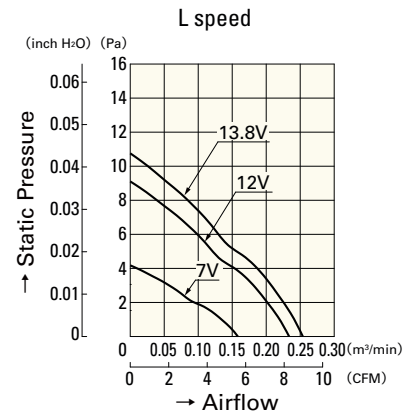
**Airflow - Static Pressure Characteristics**



**9GA0612G9001**



**9GA0612H9001**



**9GA0612L9001**